

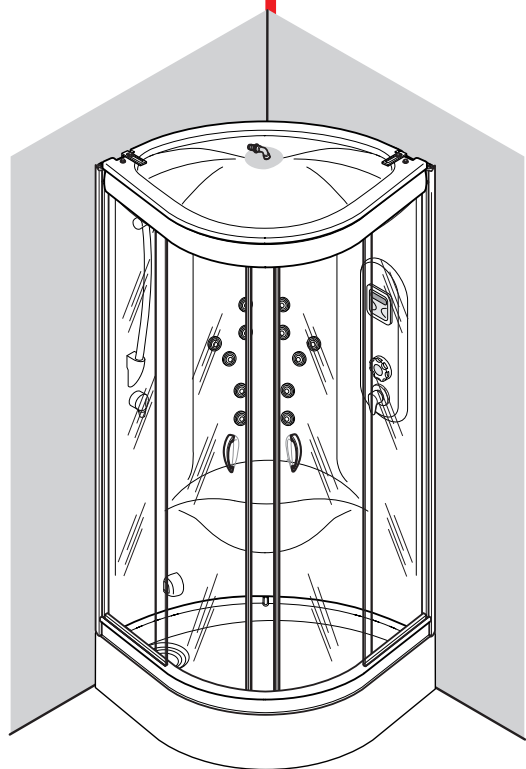


# Assembly instructions and user

Shower booth

# NEW BI-SIZE

**70/80 x 90 RH - LH**  
**80/85 x 80/85**  
**90 x 90**



**WARNING:**

INSTALLATION MUST BE CARRIED OUT BY QUALIFIED PERSONNEL IN COMPLIANCE WITH IEC STANDARDS, LEGAL REQUIREMENTS, AND SPECIFIC NATIONAL STANDARDS FOR PLUMBING AND ELECTRICAL SYSTEMS.

BEFORE CONNECTING THE APPLIANCE, THE INSTALLER MUST REQUEST THE DECLARATION OF CONFORMITY FOR THE PLUMBING AND ELECTRICAL SYSTEMS, AS REQUIRED BY **LAW NO.46 OF 05/03/90**.

IN THE ABSENCE OF THIS DOCUMENTATION, HAFRO S.R.L. WILL DENY ANY RESPONSIBILITY FOR THE BUILDING OR SYSTEMS, WHERE ITS APPLIANCES ARE TO BE INSTALLED.

**ELECTRICAL SAFETY NOTE**

Products are built in compliance with standards 60335.2.105. They are tested to personnel, in compliance with IEC standards and with directives currently in effect in each single installer must also be authorized to issue a certificate of conformity of proper installation. He must also require of the user (prior to installation) a declaration of conformity of the systems of the building as required by law. In the absence of this documentation declines any responsibility for the systems or premises where the product will be installed. The product must be firmly fixed and permanently attached to the electrical network and the earthing system. Ascertain that the building's electrical that the earthing system is efficient (refer to standard 64.8).

The product must be installed by authorised or qualified personnel, both as regards the electrical and plumbing connections. Before connecting the booth, the installer must make sure that the electrical system complies with CEI 64.8 standards, that it is protected by a differential switch 0.03A, and that the earthing system is efficient and complies with the aforementioned provisions. It is necessary to incorporate in the power supply network a disconnecting device with a contact opening distance which allows complete disconnection in the conditions of the overvoltage category III, in accordance with the installation rules. Connections to the electrical system must be made with an omnipolar switch with a contact aperture of at least 3mm, placed outside the safety zones as set forth in the latest edition of technical standard CEI 64-8/7 (it must be from splashes or the water supply (see drawing)). The electrical system connection wire must be protected by a corrugated tube with no joins or intermediate connections. The wire must not have characteristics inferior to those of type H05VV-F its section must be sized according to the model. The components used for connection must have specifications and IP protection as set forth in standard 64.8 for application in bath and showers.



**GRUPPO GEROMIN S.r.l.**

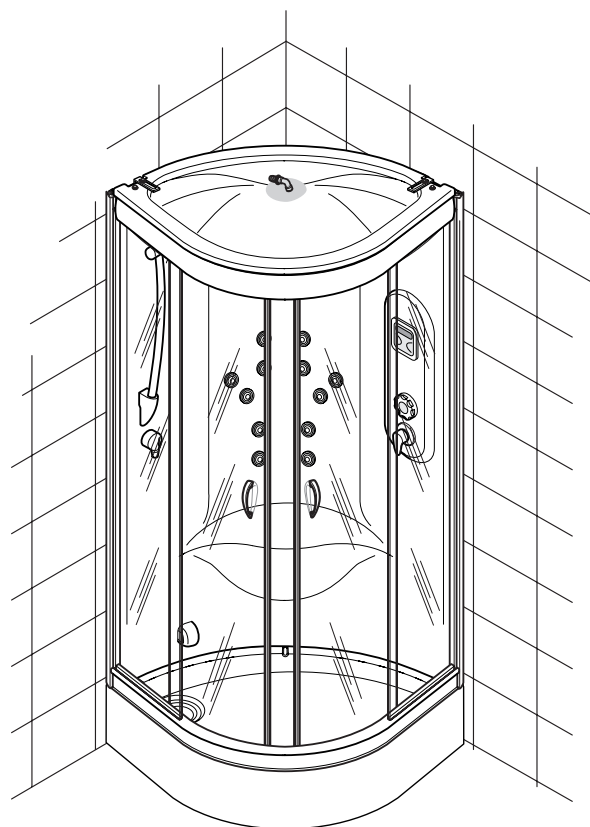
# NEW BI-SIZE

70/80 x 90 RH-LH

80/85 x 80/85

90x90

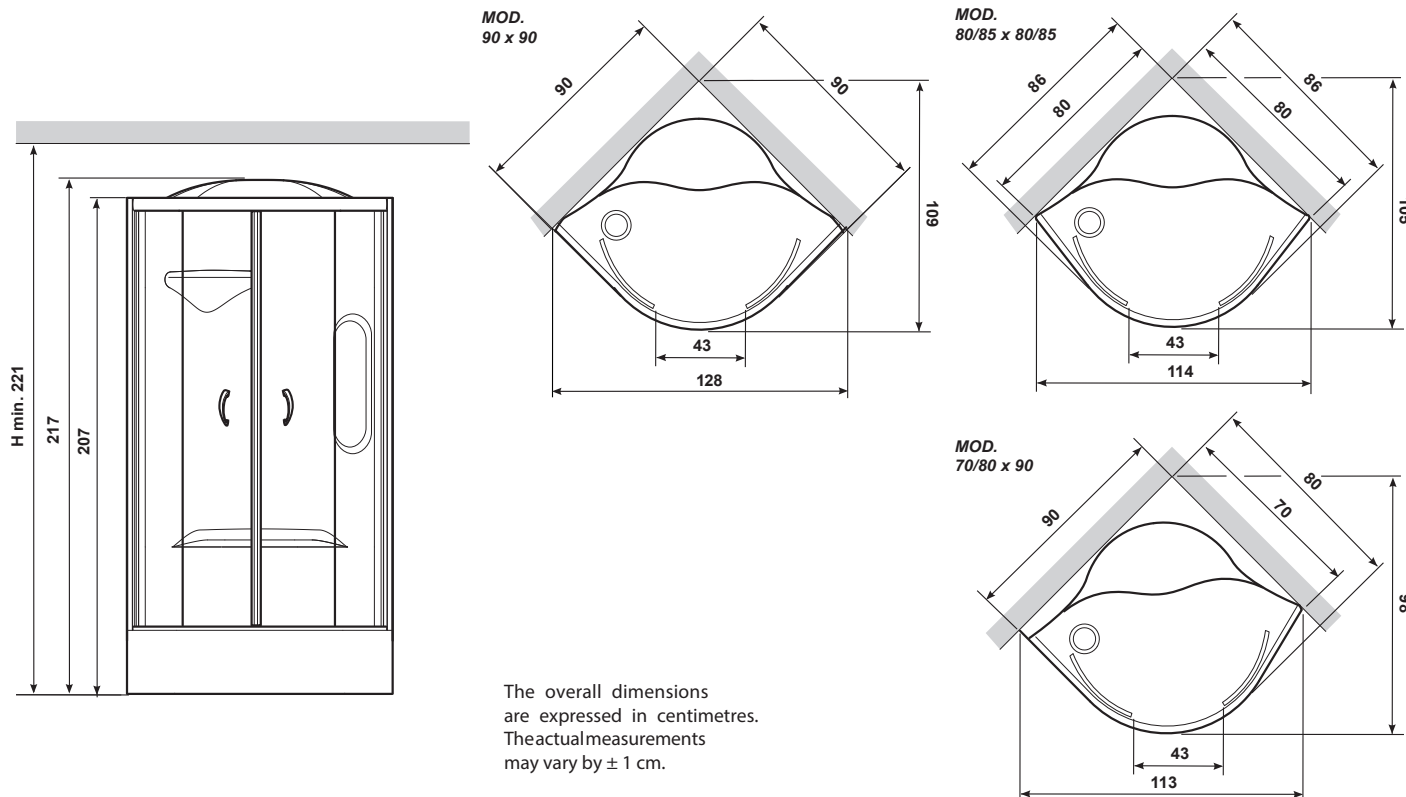
# technical card



The minimum height of the tile covering, without projections, is the same as the height of the shower booth.

SYSTEMS	Electrical specifications				Caratteristiche idrauliche					Overall dimensions				
	Volt	A	Kw	Hz	maximum water	operating	hydro	connections		Dim. Shower booth packaging			Weight	
					consumption	pressure	nozzles	H/C water	drain	Length	Width	Height	Net	Gross
<b>INTEGRA</b>					lt/min 15	1,5/3.0	12	1/2"	40/50	200	106	98	64	83
<b>JUNIOR</b>	230	9,6	2,2	50	lt/min 15	1,5/3.0	12	1/2"	40/50	200	106	98	67	87

The electrical specifications only apply for models with Turkish bath.



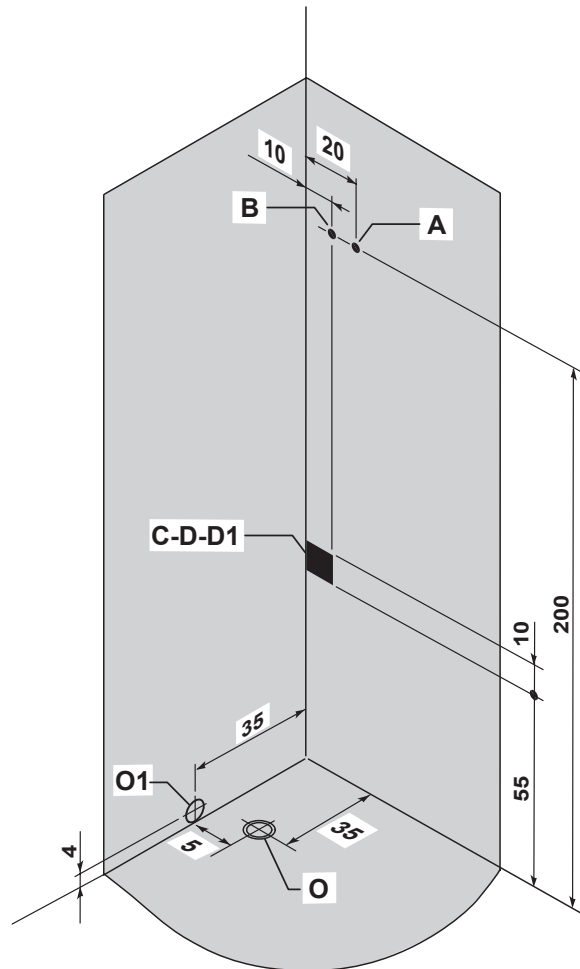
## NEW BI-SIZE

70/80 x 90 RH-LH

80/85 x 80/85

90 x 90



## Plumbing and electrical layout



### KEY

**A** - 1/2" cold water wall attachment.

**B** - 1/2" hot water wall attachment.

	Operating pressure: - MIN 150 kPa (1,5 bar) - MAX 300 kPa (3,0 bar)
	Hot water temperature: - MAX 60°C (140°F)

### C-D-D1 hose exit

**C** - Power cable exit ( length min. 2 [m] )

**D** - Equipotential cable exit ( length min. 2 [m] )

**D1** - Alarm cable exit ( length min. 2 [m] )

**O** - Floor drain  $\varnothing 40/50$

**O1** - Wall drain  $\varnothing 40/50$

Connections C and D1 only apply for models with Turkish bath.  
Connections are specular for all models.

If the water pressure is higher than indicated, install pressure reducers.  
Provide shut-off cocks out of the dimensions of the product for hot and cold water closing.

The shower booth must be installed by qualified or certified personnel, for both the electrical and plumbing connections.

Before proceeding with installation, the installer must check that the electrical system is protected by a differential switch (0.03) and that the earth system complies with the standards currently in force in the country of use.

The shower booth must be permanently connected to the electrical system (with a H05 - 3x2.5mm<sup>2</sup> tri-polar switch with a 2.5 mm<sup>2</sup> section) by means of a bi-polar switch (minimum aperture of the three contacts 3mm) suitable for the power (kW) of the product to be connected, located outside zones 0,1,2,3, and far from possible water splashes.

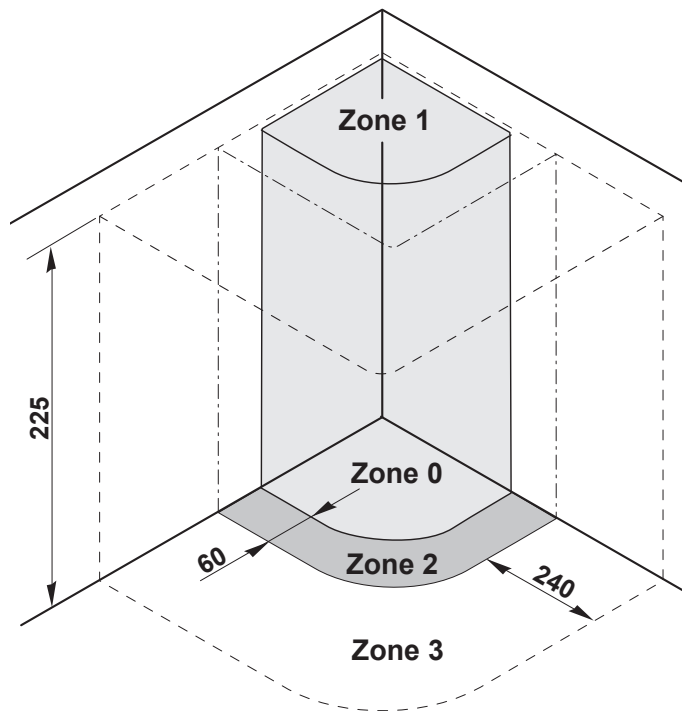
The product must also be connected to the equipotential system of the building by means of the appropriate terminal located on the frame.

It must also be possible for the shower booth to be removed at any time, without having to carry out any operations on the masonry.

**WARNING:** if the given instructions are not observed, or only partially observed, the safety of the shower booth might be at risk: therefore the manufacturer's guarantee will no longer be valid and the manufacturer will not be liable for any direct or indirect damage to the product.

The annulment of the guarantee, as indicated above, will result in the replacement of the parts recognized as being faulty, without covering labour costs necessary for the removal of the product.

## SAFETY ZONE



The product must be installed by authorised or qualified personnel, both as regards the electrical and plumbing connections. Before connecting the booth, the installer must make sure that the electrical system complies with CEI 64.8 standards, that it is protected by a differential switch 0.03A, and that the earthing system is efficient and complies with the aforementioned provisions. It is necessary to incorporate in the power supply network a disconnecting device with a contact opening distance which allows complete disconnection in the conditions of the overvoltage category III, in accordance with the installation rules. Connections to the electrical system must be made with an omnipolar switch with a contact aperture of at least 3mm, placed outside the safety zones as set forth in the latest edition of technical standard CEI 64-8/7 (it must be from splashes or the water supply (see drawing)). The electrical system connection wire must be protected by a corrugated tube with no joins or intermediate connections. The wire must not have characteristics inferior to those of type H05VV-F its section must be sized according to the model. The components used for connection must have specifications and IP protection as set forth in standard 64.8 for application in bath and showers.

## EQUIPOTENTIAL CONNECTION

The appliance should be connected to the earth system of the building by means of the appropriate terminal located on the frame of the tray and properly marked as set forth by **standards 60335.2.60**.

## INTRODUCTION

### WARNING:

CHECK THE CONDITION OF THE PACKAGING AND THE GOODS UPON RECEIPT, ESPECIALLY IF THE PACKAGING SHOWS ANY VISIBLE DAMAGE. IF IT DOES, POINT THIS OUT TO THE TRANSPORTER IMMEDIATELY. THE MANUFACTURER DENIES ALL RESPONSIBILITY FOR TRANSPORT.

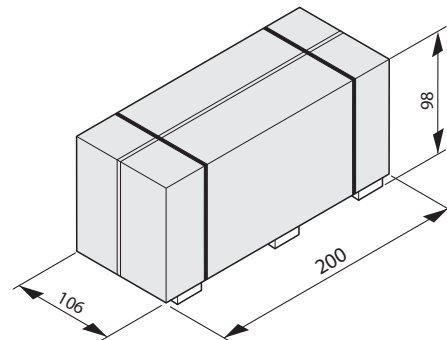
**The shower booth must be assembled in the place where it is to be installed, building permitting.**

**Assembly requires 2 people.**

## PACKAGING

In the shower booth packaging (200x106x98) you will find the following:

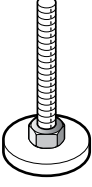

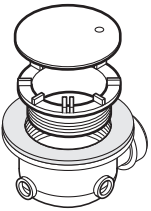

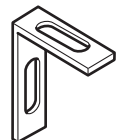
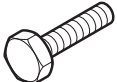



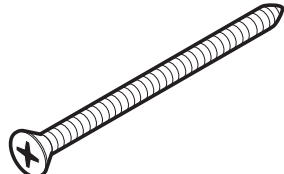
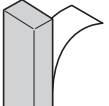
- shower tray;
- all wall panels
- top;
- glass panels
- hardware fittings kit with drainage column
- showerhead with flexible hose
- electronic set with boiler (for models with Turkish bath)
- assembly and use manual.



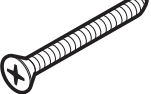
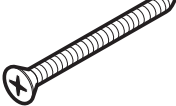



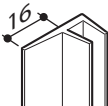




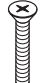


**Check the condition of these items prior to proceeding with installation.**



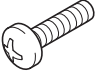


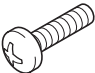

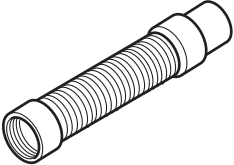

Before proceeding with installation, ensure that the prepared connections match the specifications on the technical data card of the model to be installed. Ensure that the walls above the shower tray are completely straight. It is advisable to install two filter closures in the water fixtures. For models with a thermostatic device, these are provided with the product.

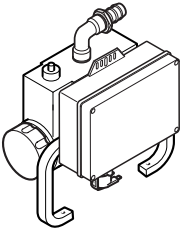




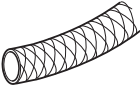

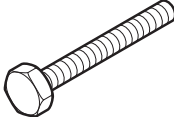


## HARDWARE FITTINGS KIT

FOOT KIT (with shower tray)			
Pos.		Q.ty	Description
A		7	Foot M10x20
B		7	Nut M10 ACMDADI10005
HARDWARE FITTINGS KIT FOR SHOWER BOOTH (in main packaging)			
C		1	Drainage column (see drainage column instructions AC300)
E		2	Plate for fastening ACMPIAS15010
F		2	Fastening bracket ACMSTA011071
G		8	Screw 6x16 ACMVITI00008
H		11	Kasher 6x18 ACMROND10002
I		1	Nut ACMDADI10003
L		2	Dowel ACMTASS0006
M		2	Screw 4,2x50 ACMVITI10014
N2		2	Seal GUARNBOX0005

HARDWARE FITTINGS KIT FOR GLASS PANELS			
Pos.		Q.ty	Description
A1		6	Screws 3,5x16 6954
B1		9	Screw-cover cap ACMCAPPUC001
C1		8	Screw 3,5x25
D1		3	Screw 3,5x22
E1			Seal cap XGUARN000012
SEAL KIT			
F1		2	Magnetic seals XGUARN000013
G1		2	Seal Door 25 mm XGUARN000014
H1		2	Glass panel seal 16 mm XGUARN000015
I1		2	Seal 4 mm XGUARN000016
L1		2	Seal 4 mm XGUARN000017
HANDLE KIT			
O1		4	Knobs
V1		2	Grub screws M4x20
V2		2	Grub screws M4x30

## HARDWARE FITTINGS KIT

BEARING KIT (in hardware fittings kit for glass panels)			
Pos.		Q.ty	Description
A2		4	Top bearing
B2		4	Screw-cover cap
C2		4	Screw M4x6
D2		4	Bottom bearing
E2		4	Screw-cover cap
F2		4	Screw M4x16
ASSEMBLY AND USE MANUAL KIT			
		1	Certificate of guarantee
		1	Assembly and Use Manual
A3		1	Drain pipe (Bonomini)
B3		2	Filter closures (only for models with thermostat)

STEAM KIT			
Pos.		Q.ty	Description
A4		1	Boiler with electronics
B4		1	Silicone steam hose TUBA2SILICO1
C4		2	Clip CN 15-25 ACMFASCCN025
D4		1	Connector RACCPGPL130010
E4		1	O-Ring
F4		1	Hose 11x17 80 cm TUBA2RETIN
G4		2	Clip CN 08-16 ACMFASCCU001
H4		2	Screws M6x35 ACMVITI10019
I4		2	Screws ACMROND10002
L4		2	Seal GUARBFASIT03

## FASE 1a

Remove the protective film from the tray.

Attach the drainage column to the shower tray, and fasten it (fig.2).

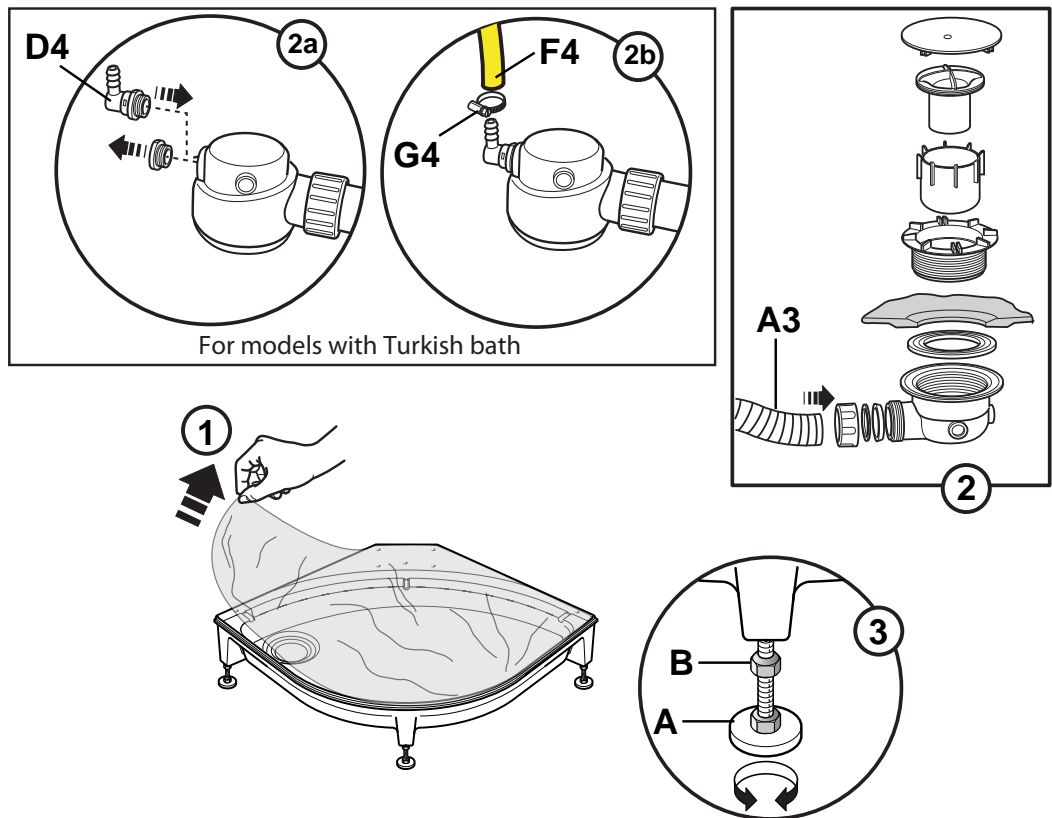
Connect the flexible drain hose "A3" (inside the manual pack) to the drainage column (fig.2).

For models with Turkish bath, remove the cap from the drainage column, attach the hose coupler "D4" (in the Steam kit), making sure that the "O"-ring stays in place (fig.2a).

Connect the "F4" hose to the hose coupler with the clamp "G4" (fig. 2b).

Screw the nuts "B" onto the feet "A", then insert them into the appropriate bushes of the shower tray (fig.3).

## INSTALLING THE SHOWER TRAY



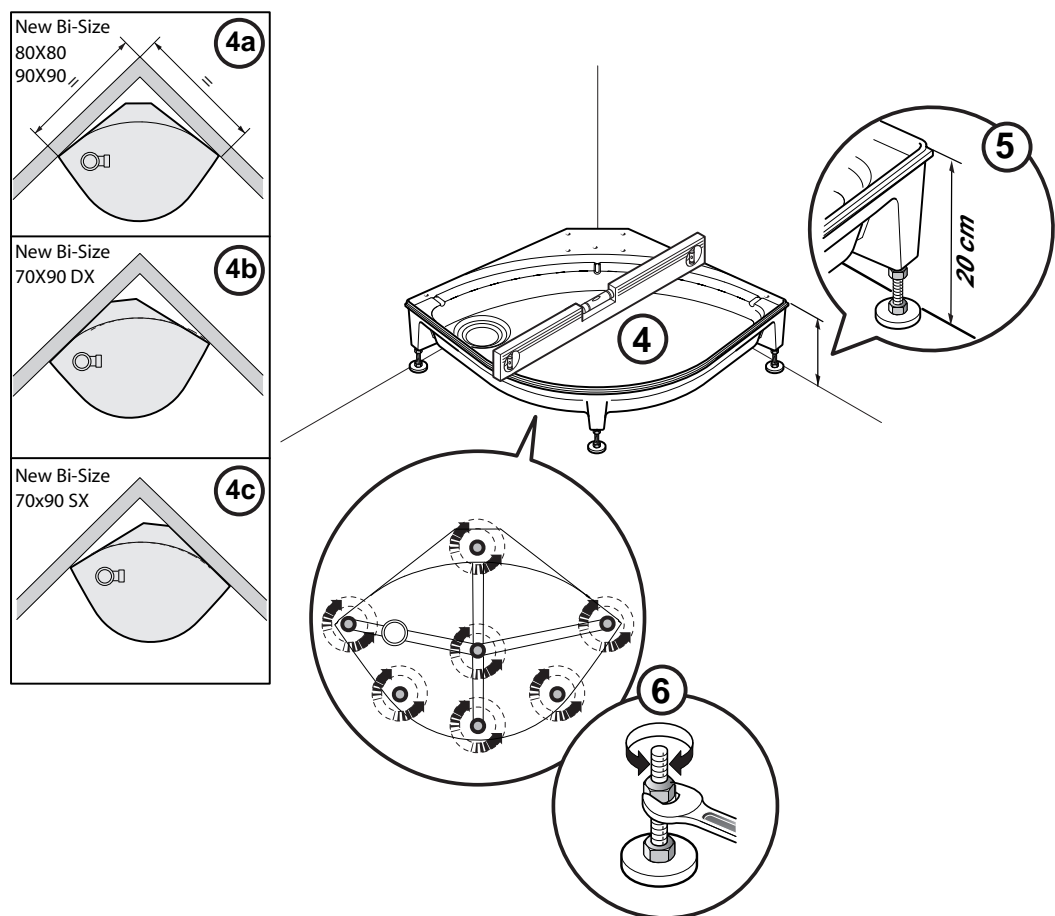
## FASE 1b

Position the shower tray, depending on the chosen model, for 70x90 position on the RH (fig.4b), 70x90 or 80x80 position on the LH (fig.4c), (fig.4a), checking that it is perfectly level.

Level the shower tray by adjusting its feet, locking them into the required position and then adjust the middle foot (fig.6).

**WARNING:** The front edge of the shower tray must not be less than 20 cm from the floor (fig.5).

After this phase, it is advisable to provisionally connect the drainage pipe and test for watertightness.

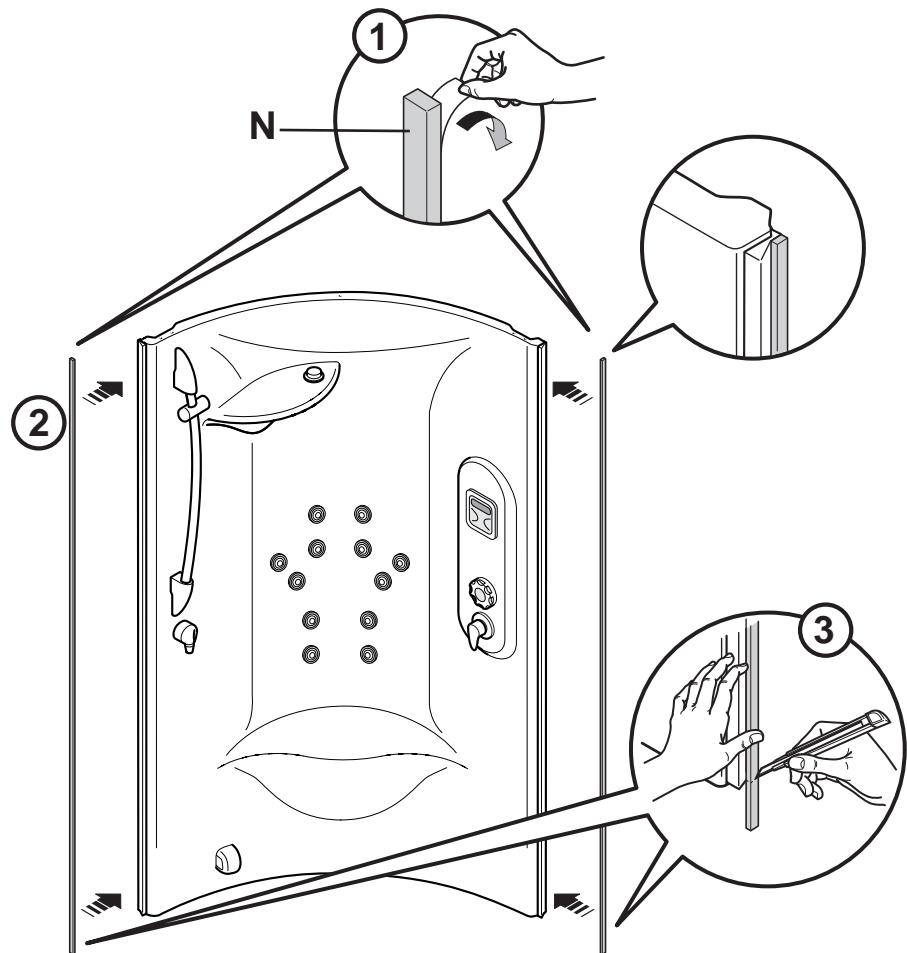




## PHASE 2

Remove the protective film from the sponge seals "N" (fig.1) and insert them into the compensator profiles of the panel (fig.2).  
Cut away any extra parts (fig.3).

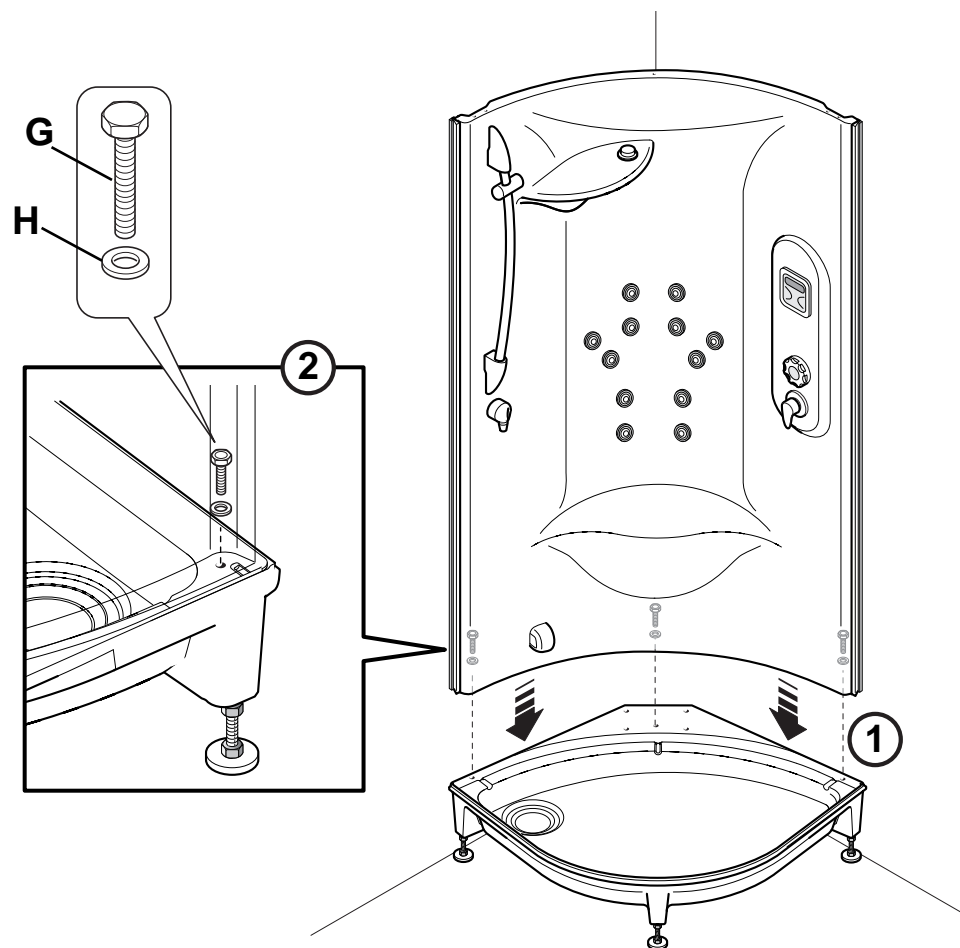
## PANEL INSTALLATION



## PHASE 3

Position the panel over the shower tray (fig.1), check that it is flush with the internal edge of the shower tray and fasten it using the screws "G" and the washer "H" provided (fig.2).

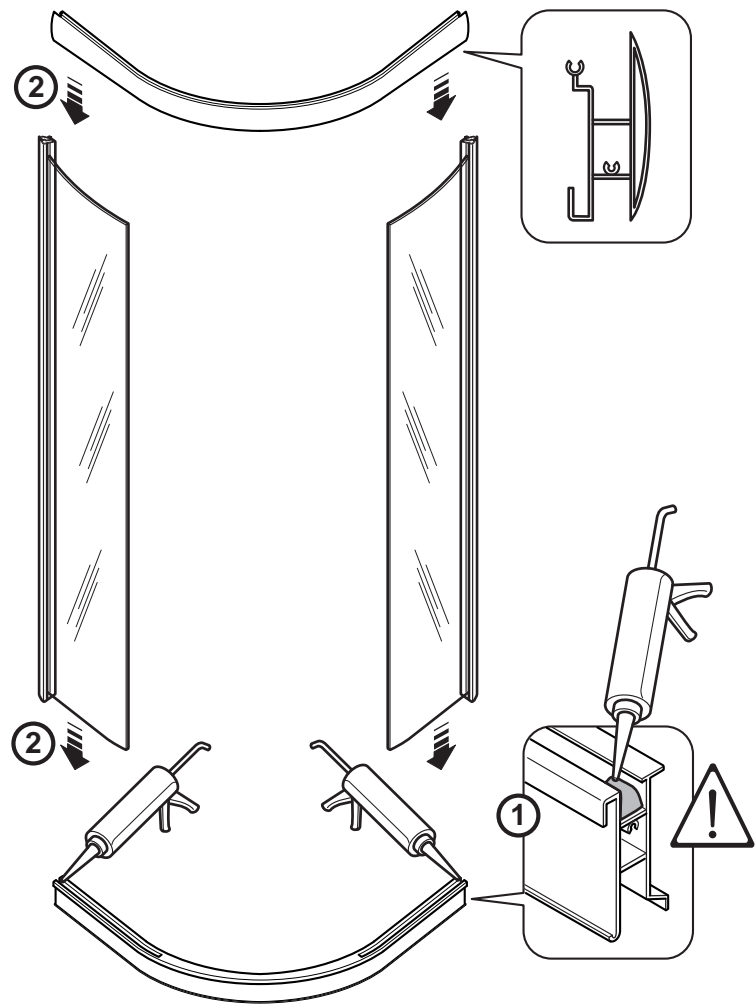
## PANEL INSTALLATION



## PHASE 4

Apply plenty of silicone to the given points (fig.1). Assemble the two glass panels with the top and bottom runners (fig.2)

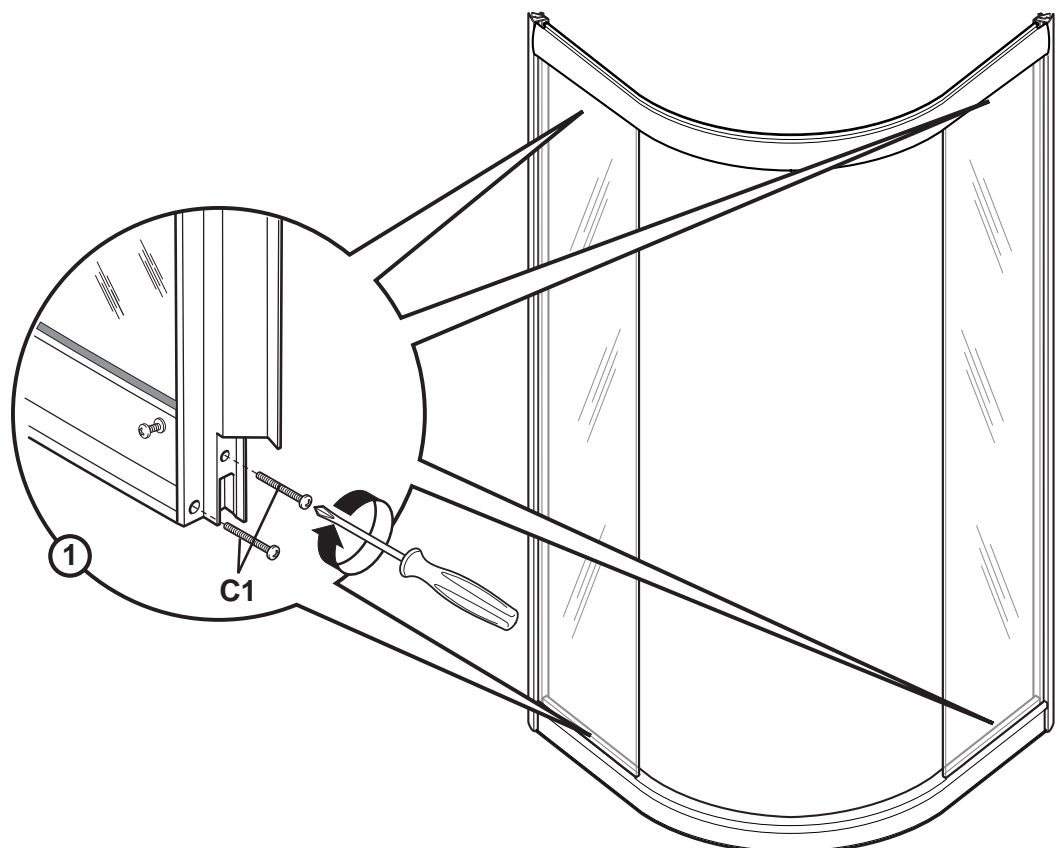
### ASSEMBLING THE GLASS PANELS



## PHASE 5

Fasten together the assembled glass panels using the screws "C1" provided (fig.3).

### ASSEMBLING THE GLASS PANELS



## PHASE 6

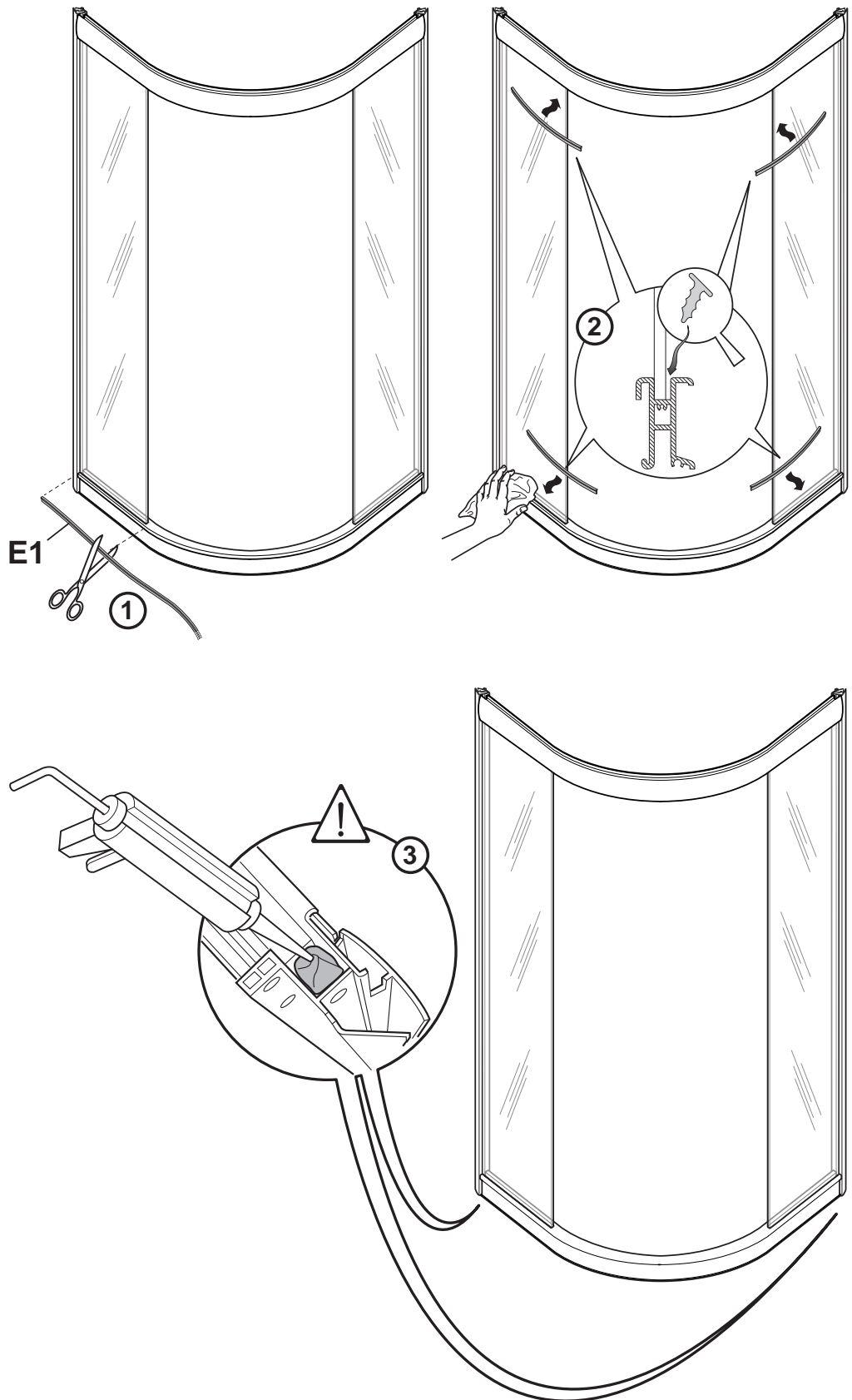
## ASSEMBLING THE GLASS PANELS

Cut the seal cap "E1" into 4 pieces, the same length as the fixed glass panel (fig.1) and insert it into the inside of the closure (fig.2). Use liquid soap to make this operation easier.

Apply plenty of silicone to the bottom part of the hollow on the vertical aluminium profile, to create a cap (fig.3).

**WARNING:** Incorrect silicone application might result in leaks.

Clean any silicone residue with a clean cloth.



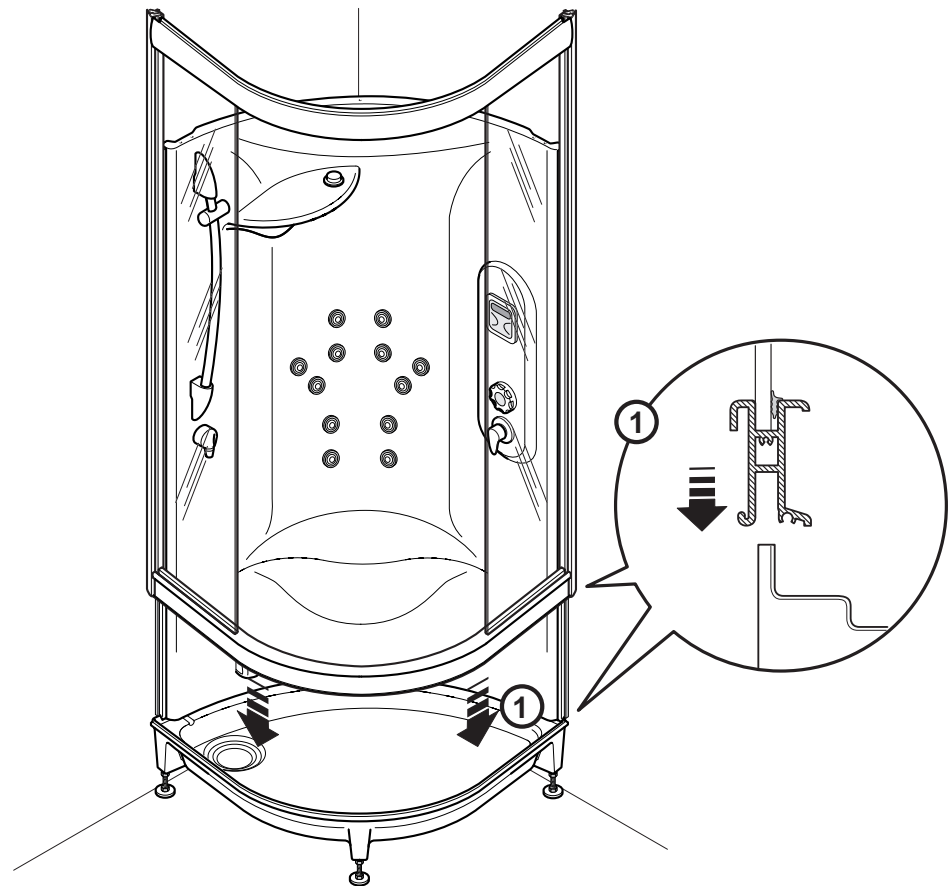
## PHASE 7

Place the closure on the shower booth and lower it until the hollow of the lower profile fastens onto the shower tray profile.

Make sure that the gasket "E1", previously glued to the fixed profiles of the closure, does not come free.

Make sure that the closure is perfectly positioned on the shower tray.

## INSERTING THE CLOSURE

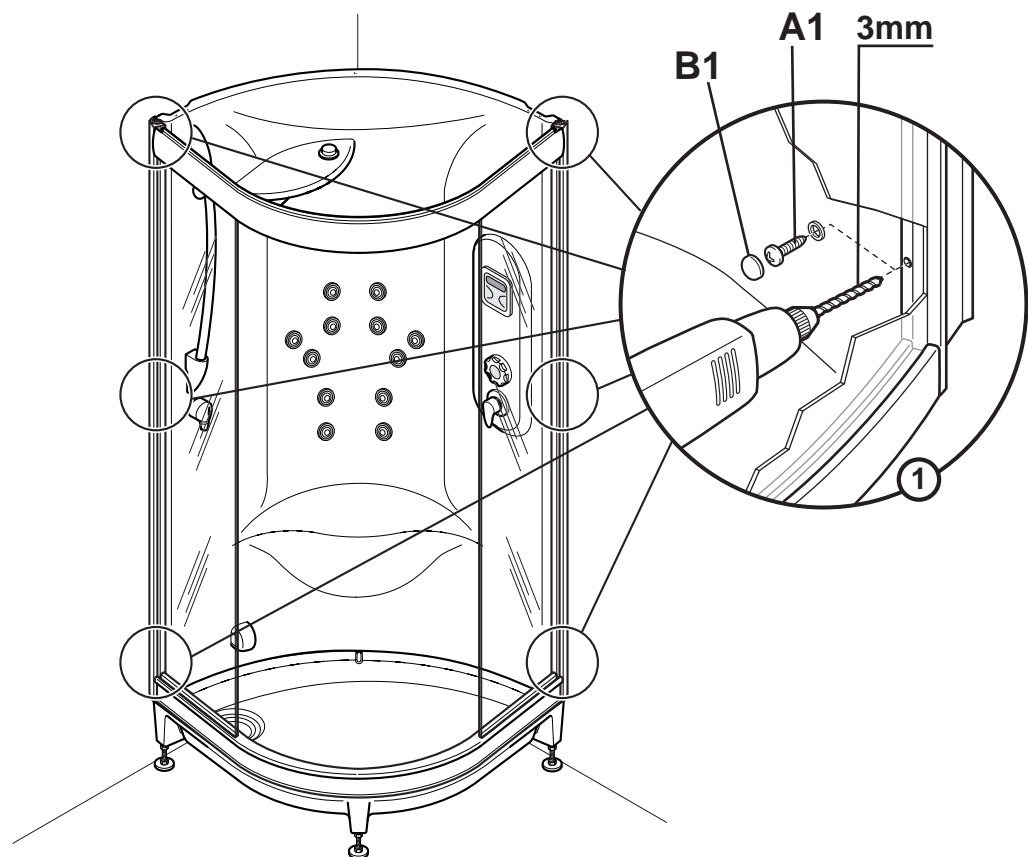


## PHASE 8

Hold the closure so that it rests perfectly on the compensator profiles, and use a 3 mm bit to drill through the six holes provided in the profile.

Fasten the closure using the screws "A1" and the cap with washer "B1" (fig.1).

## ATTACHING THE FIXED GLASS PANELS



## PHASE 9a

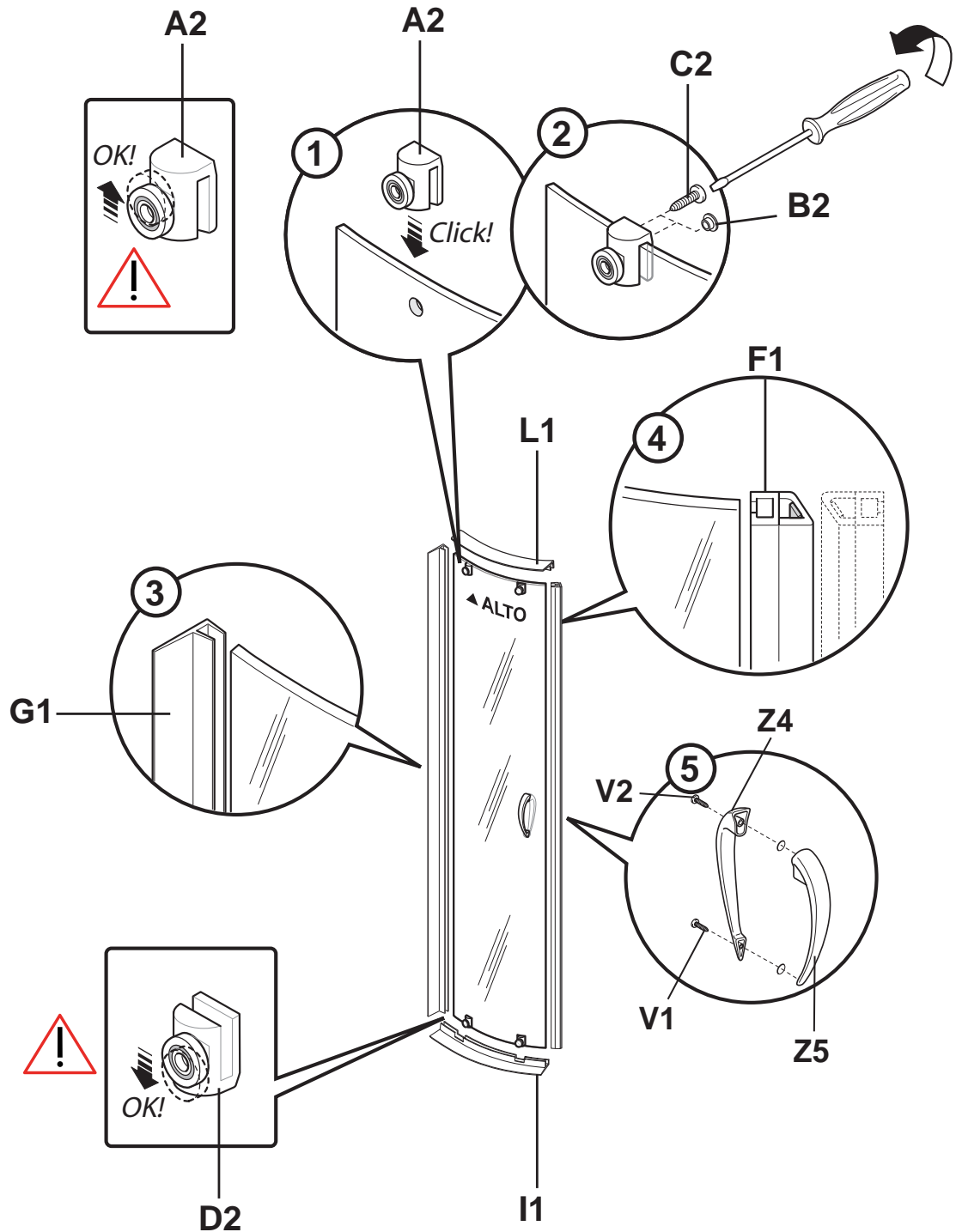
### ASSEMBLING AND INSERTING THE SLIDING DOORS

Insert the top bearings "A2" into the top of the doors, fasten them with the screws "C2" and cover with the screw-cover cap "B2" (fig.1-2).

Insert the bottom bearings "D2" into the bottom part of the doors in the same way and cover with the screw-cover cap "B2".

Insert the seals "G1", "I1", "L1" (only for models with Turkish bath) and the magnetic seal "F1" (fig.3-4).

Attach the handles "M1" using the appropriate grub screw "N1" (fig.5).



## PHASE 9b

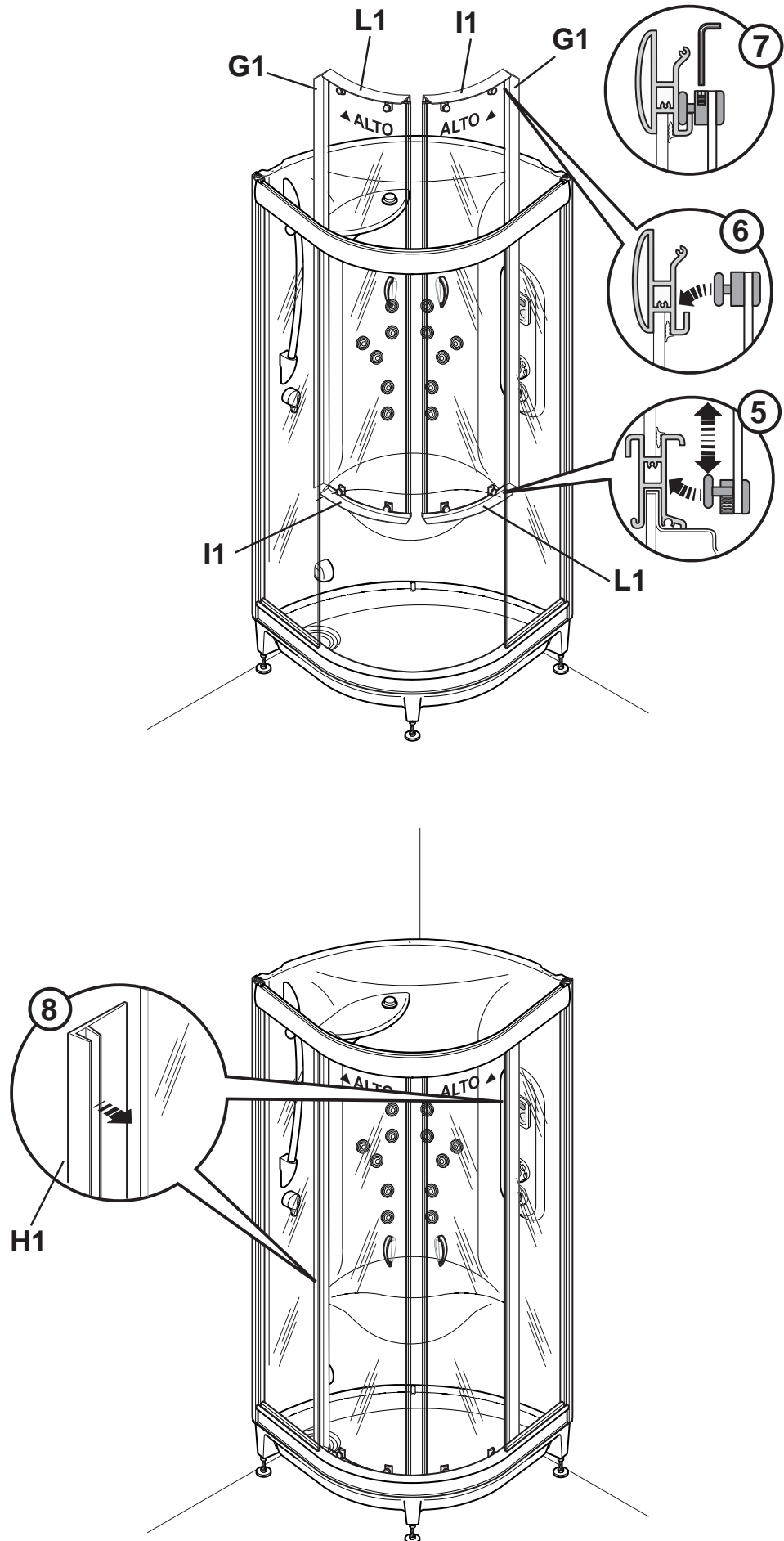
## ASSEMBLING AND INSERTING THE SLIDING DOORS

Fasten the sliding glass panels to the closures, first hooking on at the bottom of the door, and then, pulling upwards, hook on the top part (fig.5-6-7).

Fasten the seal "H1" to the fixed glass panels (fig.8).

Check sliding and that the two doors line up. If necessary, adjust the top slides with the key provided for this purpose in the closure kit .

**WARNING:** To prevent water leakage after installing the doors, check that the sealing strip "H1" on the fixed glass panels sticks perfectly to the bottom profile of the closure.



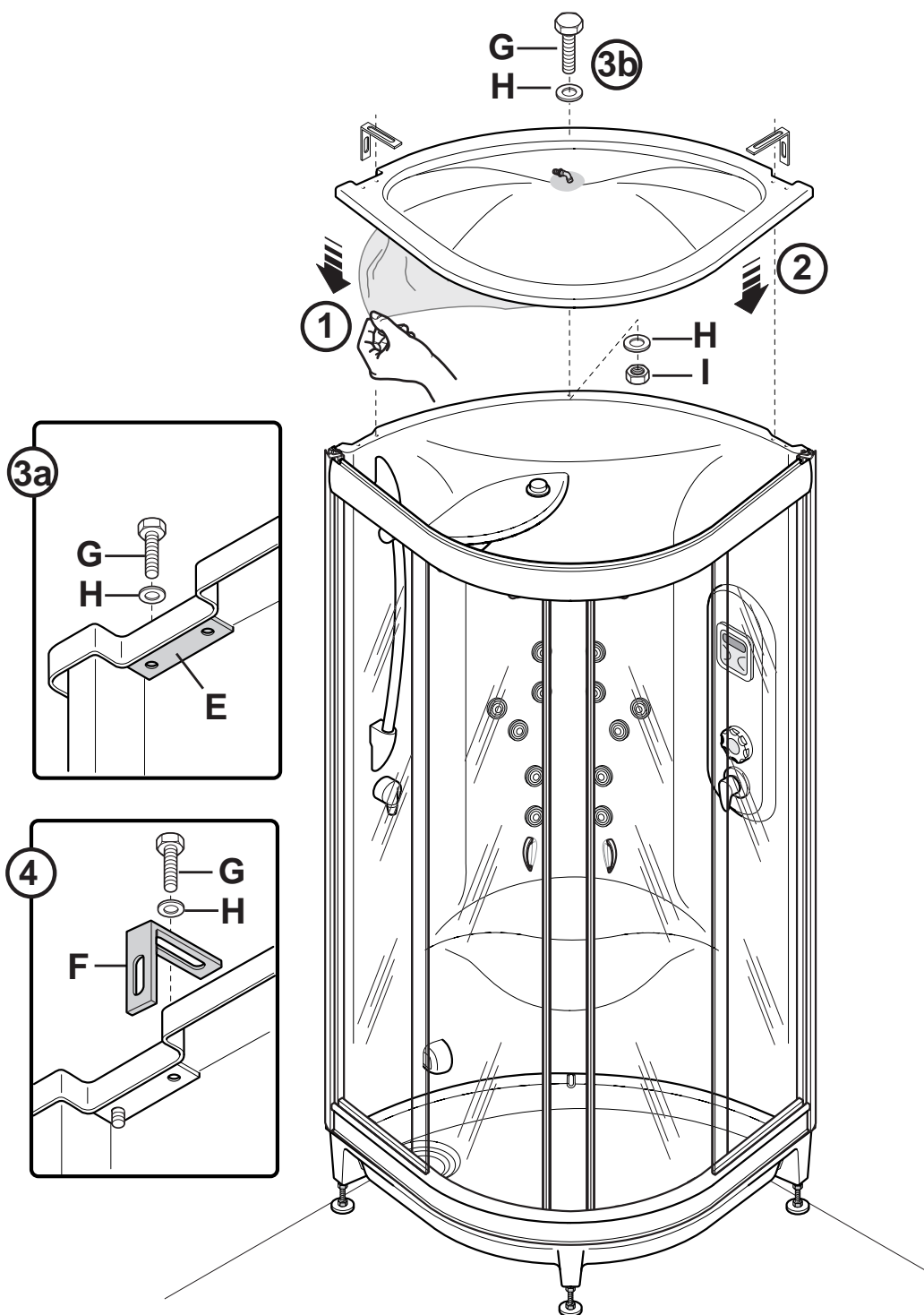
## PHASE 10

Remove the protective film from the top (fig.1) and insert it on the shower tray (fig.2).

Fasten it at the ends with the screws "G", the washers "H" and the appropriate plates "E" (fig.3a) and in the middle with the screw "G", the washers "H" and the nut "I" (fig.3b).

Complete this operation by fastening the brackets "F" to the top without fastening them completely (fig.4).

## ASSEMBLING THE TOP



# PHASE 11

## PLUMBING CONNECTIONS

For models with Turkish bath, take the electronic kit with boiler and attach it to the shower tray with two internal screws measuring 70x90 and external ones measuring 80x80 (fig.1).

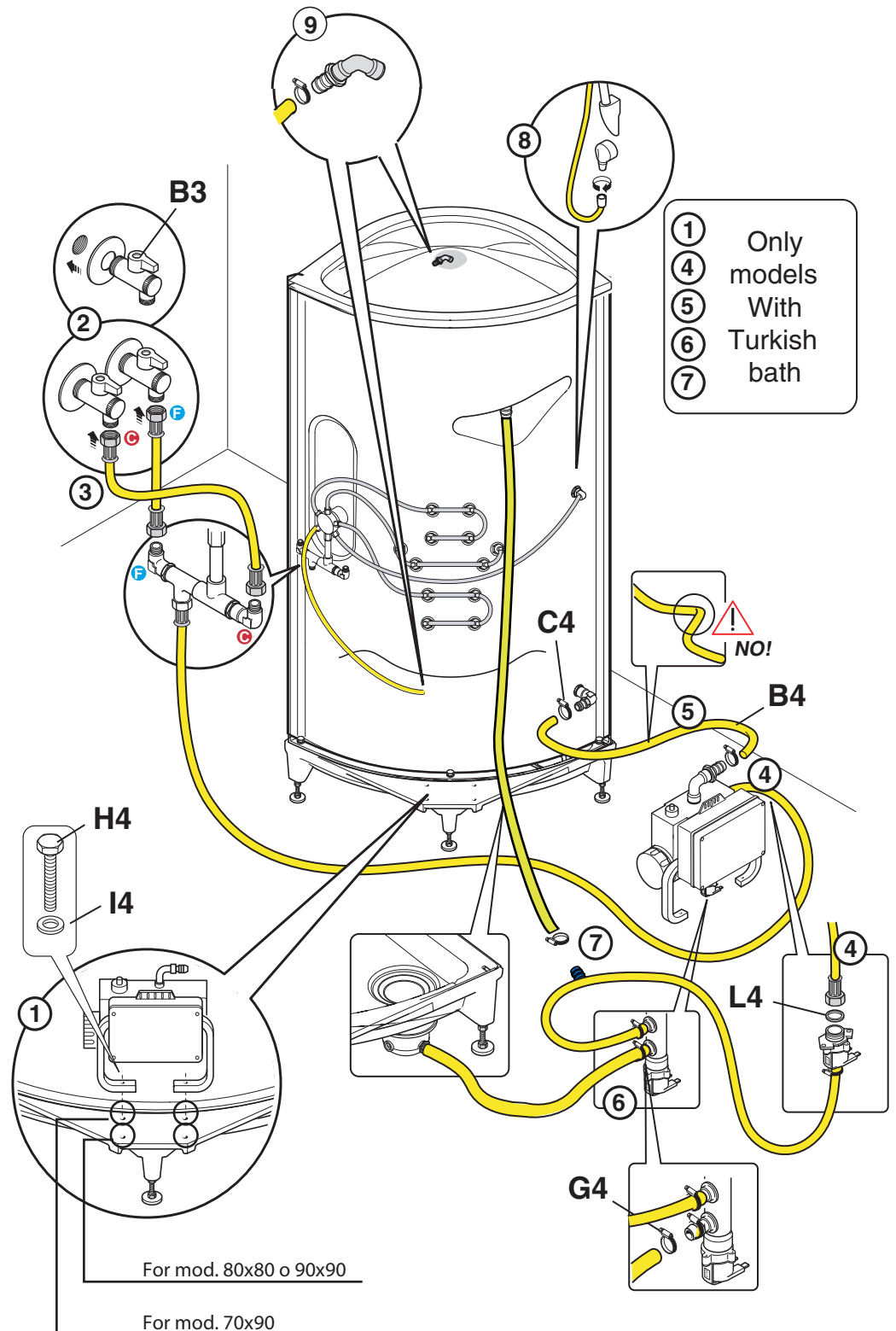
### CONNECTIONS IN SEQUENCE:

Connect the hot and cold water outlets to the taps using two flexible hoses with two stainless steel flexible hoses, 120cm (not provided) (fig.3).

It is advisable to insert two filter closures into the water connections, provided for models with thermostat "B3" (fig.2).

Connect the water supply hose (fig.4), the steam hose (fig.5), the boiler drain hose (fig.6) and the boiler wash hose (fig.7).

Attach the flexible hose to the shower and the appropriate water connection (fig.8).





## PHASE 12

Before making the electrical connections, carefully read the notes on electrical safety.

This appliance must be connected to the earth system of the building, in compliance with standard 64.8, using the special terminal on the shower booth tap fittings, duly marked with a special symbol.

For models with Turkish bath, the earth terminal is on the frame, also connect the cable coming from the tap fittings to this.

Only for shower booths which use electricity.

Connect the keyboard cables (11-12) and, connect the SPEAKER cables (13-14) for models with a radio. Remove the electric wiring box cover, connect to the electric power supply (220 VOLT 50 HZ), passing the cable through the cable clamp and connect it to the terminals L – N – EARTH. There are two terminals on the electronic card marked with the wording OUT 3, these correspond to a normally open relay contact, to which the alarm circuit can be connected; in compliance with legal requirements and specific national standards. The power supply to the alarm circuit can be either 220/240 volt or low voltage, with maximum absorption of 10 A. Connections to the alarm circuit must be carried out using a cable that is not inferior to type H 05 VV-F 2X1.5 square millimetres.

### **LIGHT**

For models with light, insert cable "15" into the appropriate cable clamp.

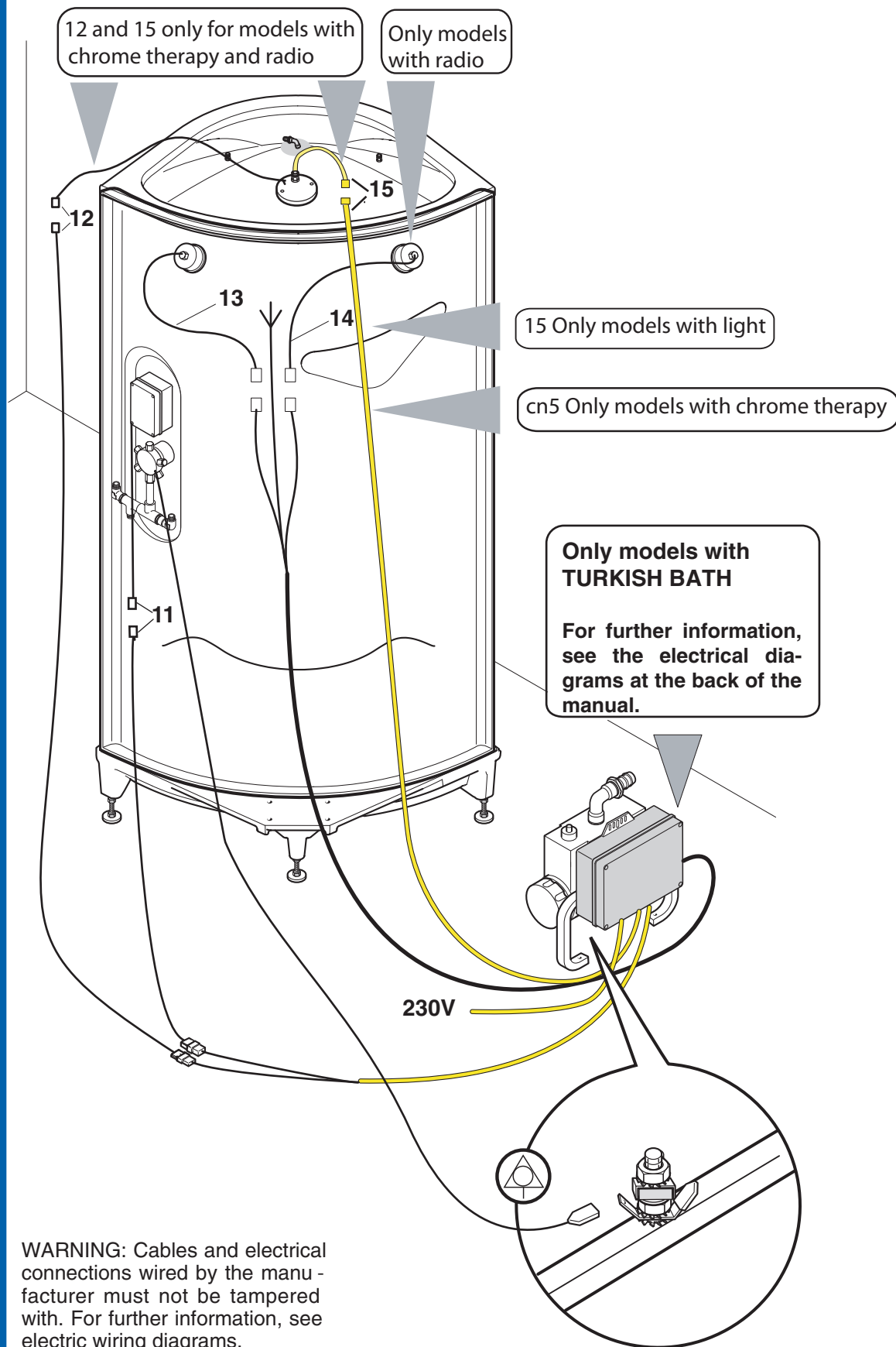
### **CHROME THERAPY**

For models with chromo therapy, connect the spotlight wire in the connector cn5 of the chrome therapy expansion board on the electronic box.

### **RADIO AND CHROME THERAPY**

Connect wires 15 and 12.

## EQUIPOTENTIAL AND ELECTRICAL CONNECTION WHERE REQUIRED



**WARNING:** Cables and electrical connections wired by the manufacturer must not be tampered with. For further information, see electric wiring diagrams.

## PHASE 13

Move the shower booth near the wall, check that the structure is straight and mark the holes for fastening and the top of the brackets (fig.1). Move the shower booth away again and drill the holes with a 6 mm bit. Remove the brackets "F" and fasten them to the wall using the dowels "L", the screws "M" and the washers "H" provided (fig.3).

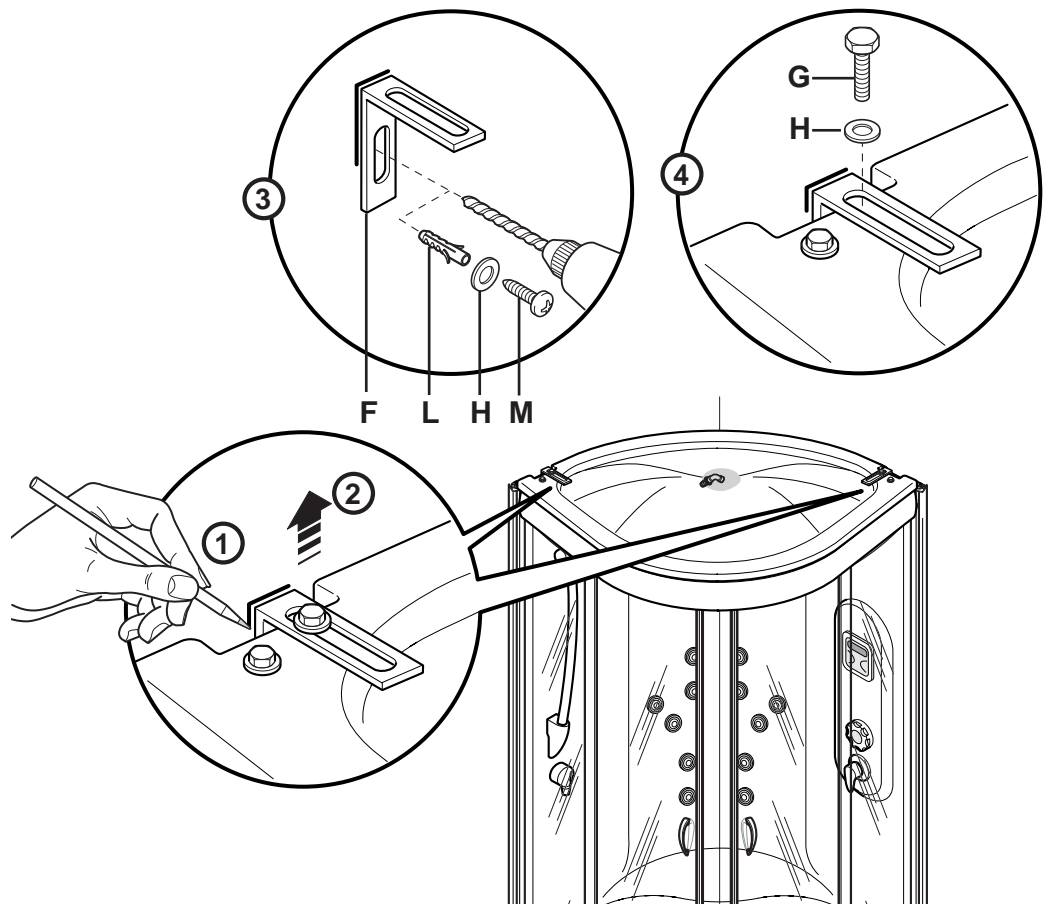
Connect the hose "A3" to the drain, run a test cycle for all functions, checking for correct operation and perfect water-tightness.

Position the shower booth against the wall, making sure that:

- all the wires are well-positioned between the shower booth and the walls;
- all the feet are stable on the floor.

Fasten the shower booth permanently to the wall using the screws "G" and the washers "H" (fig.4).

## SHOWER BOOTH FASTENING BRACKETS

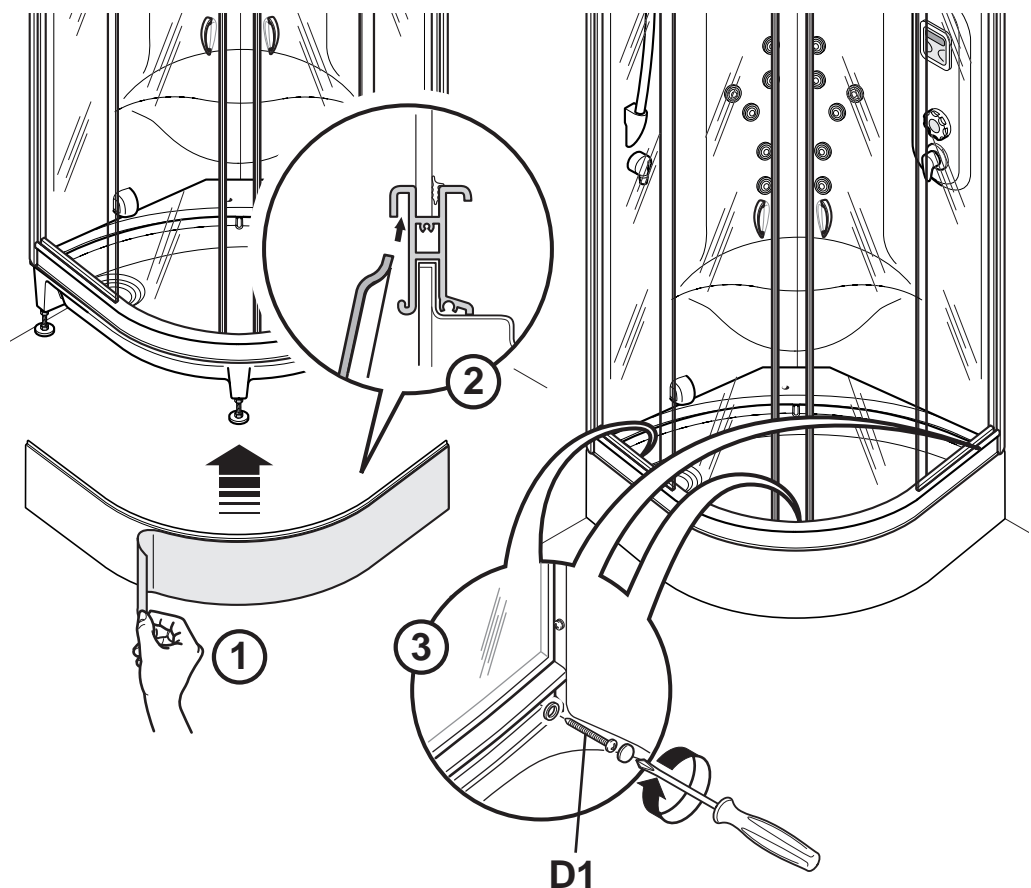


## PHASE 14

Remove the protection from the front panel (fig.1), line it up with the shower tray and insert the top edge into the groove of the closure (fig.2).

Fasten the panel with the "D1" screws. Make sure the panel is properly inserted in the aluminium edge to avoid perforating it with the screws (fig.3).

## FASTENING THE FRONT PANEL



# Instructions for using the Taps



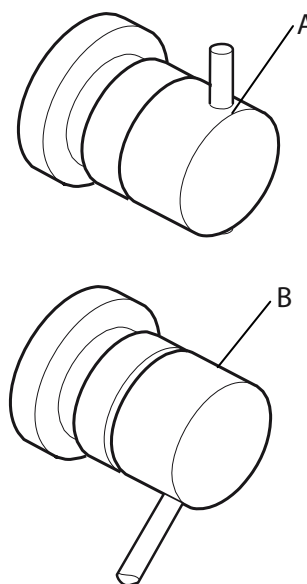
Thank you for choosing a product, designed and manufactured to meet your well-being needs in the best way possible.

## MIXER HYDRAULIC CONTROLS FOR NEW BI-SIZE MOD.

The SOUND stall is supplied with the mixer unit.

The mixer control consists of two dials, the upper one (A) that serves as a diverter and, and the lower one (B) is used to adjust the water temperature and to open and close the water.

To select the desired function, spray shower head or hydro-massage jet, turn the upper dial A until reaching the desired function.



## MIXER HYDRAULIC CONTROLS FOR SOUND MOD. NEW BI-SIZE(Accessory)

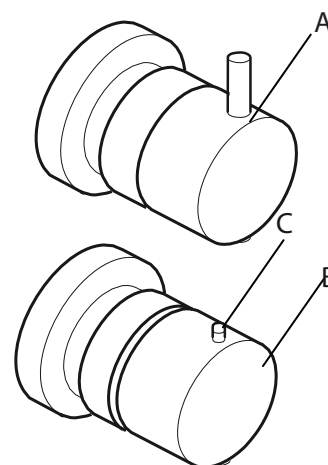
To select the desired function, spray shower head or hydro-massage jet, turn the upper dial A until reaching the desired function.

To open or adjust the water flow intensity always use lever A.

### TEMPERATURE ADJUSTMENT

To adjust the water temperature turn dial B positioning the selected temperature upwards to 12 o'clock.

The dial is equipped with a safety button C to protect against scalding; to increase the temperature above 38°C, press the button and turn the dial anti-clockwise.



To ensure the proper operation of the thermostatic mixer, a boiler with a water supply of at least 10 litres of water per minute at 60/65 °C is required.

### CAUTION!!

After each use, be sure to turn off the mixer or the shut-off valve. If a temperature higher than 38 degrees is selected, it is advisable to reposition the thermostatic dial before the safety lock. The temperature of the mixed water should never exceed 60 °C.

## Only for version Junior

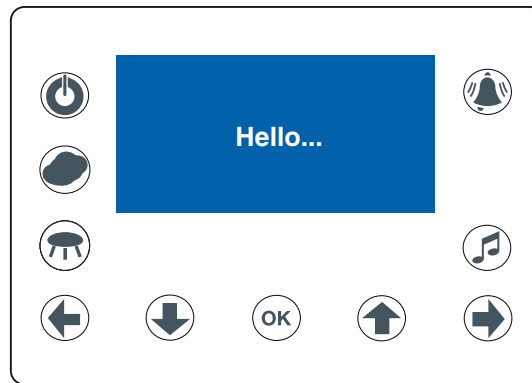










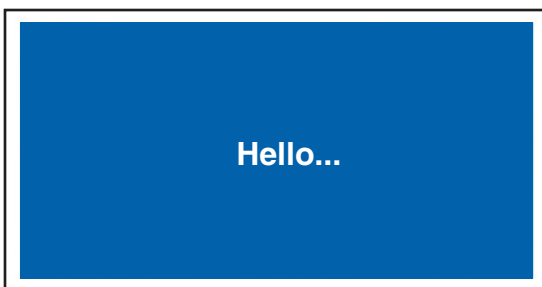



Fig. 1: Pellicle Display

- |   |                      |   |                       |
|---|----------------------|---|-----------------------|
| 1 -    | ON/OFF General;      | 6 -     | Navigation key up;    |
| 2 -   | ON/OFF Turkish bath; | 7 -    | Right navigation key; |
| 3 -  | Left navigation key; | 8 -   | Radio FM;             |
| 4 -  | Navigation key down; | 9 -   | Allarm;               |
| 5 -  | Confirmation;        | 10 -  | Chromotherapy;        |

## Keyboard functions



### 1. ON/OFF General

Pressing the button  illuminates the backlight with the enabling of Turkish bath and radio functions.


To the active system, while holding down the key for 2 seconds,  all functions are immediately available and the system returns standby.

Figure 2: Standby display.

# Keyboard functionality (vers. junior)

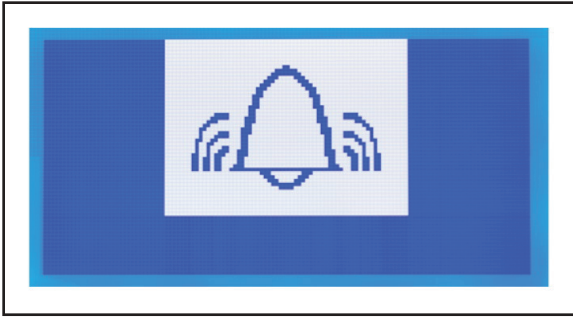


Figure 3: Alarm Function

## 2. ALLARM

Pressing the key will bring the system into alarm mode by activating a beep directly from the Radio Speaker. All active functions are deactivated and the display shows the alarm symbol (see figure 3). Pressing the button again turns off the alarm, the display it returns to the screen before the alarm.



Figure 4: Radio

## 3. RADIO

Press the button to turn on the radio, to change the volume use the and keys. To change the frequency, press the keys and (single pressure for manual, prolonged search for automatic search). Press the key to access the memory menus (8 stations storable). To store a station, select one Memory (eg M1) with the keys and memory menus and . Press the button . To scroll through the other stations to store press the and keys. From the "memory storage" menu sub menu it is not possible change the volume of the radio. After 10 seconds of inactivity the the display returns to the main screen of the radio. To return to the radio screen, press the key . To turn off the radio, use the key .



Figure 5: Radio Memory

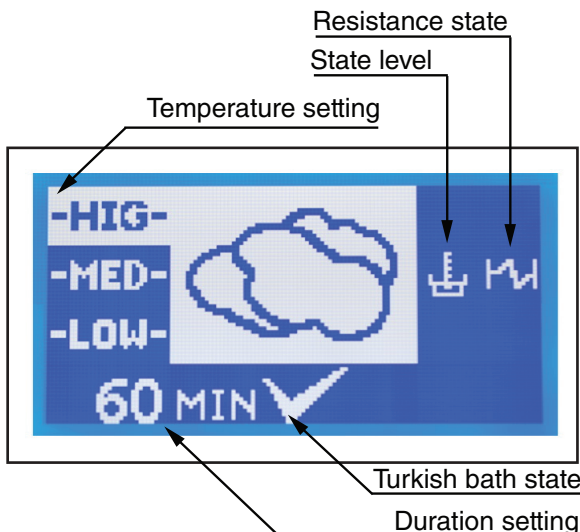


Figure 6: Turkish bath

## 4. TURKISH BATH

Pressing the key enters the Turkish bath menu. Using the keys and you can select one of the 3 possible ones box temperature levels: LOW-MED-HIG the selected value is highlighted. Pressing the button will light the turkish bath.

If the boiler is empty the symbol of the level state and the resistance will begin to blink after a while waiting for about 4 minutes the system will start steaming. If the boiler is full the system will activate immediately. Once the required temperature has been reached the turkish bath pauses, it is reactivated to maintain the heat status constant. The length of the session (5 to 60 minutes) is displayed in the bottom left display, the keys allow and you to edit it. By pressing the button for at least 2 seconds the Turkish bath will off.

# Keyboard functionality (vers. junior)

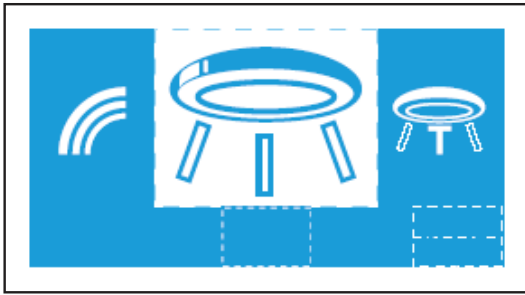


Figure 7: Menu light

## 1. White light and chromotherapy

Button 2 allows you to turn the headlight on and off.

With the keys 3 and 7 you can scroll the menu (figure 7) light and chromoterepia that is composed of energizing, relaxing, toning cycles (figure 8) and "rainbow" (Figure 9). To confirm press 5. When you select the mode "Rainbow" (iris 42 colors) you can change the color of the LED lights by pressing the 4 and 6 keys.

To turn off the chromotherapy, press button 2.



Figure 8: Menu light, active energizing cycle



Figure 9: Down menu iris

## Possible alarms that may appear in the event of a malfunction of the turkish bath

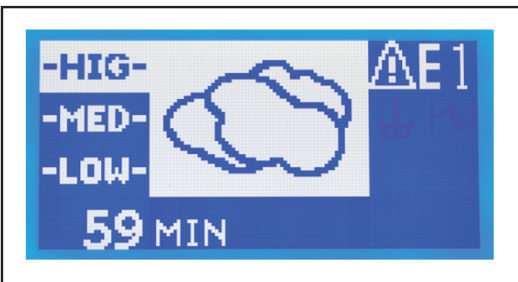


Figure 10:

E1: Temperature probe failed.

The reading of the temperature probe randes from 5°C to 60°C.

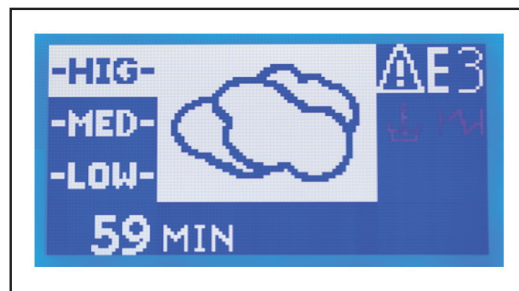


Figure 12:

E3: Lack of water, level sensor or troubleshooting solenoid valve.

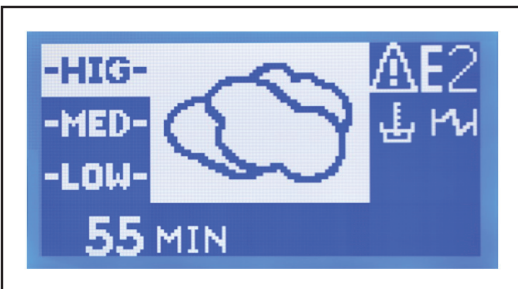


Figure 11:

E2: Resistant failure.

CAUTION!! These messages stay up to a new one activation command of Turkish bath.

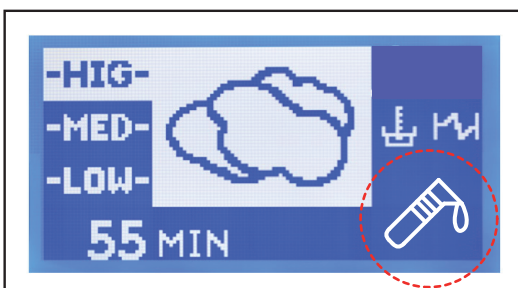
CAUTION!! For the correct completion of the Turkish bath not you must remove the power supply before the system has it finished steaming.

### PROBLEMS:

Before calling for technical assistance, check:

- the correct connection of the hoses and that they have not been folded during the cab positioning.
- that hot and cold water is regularly discharged.
- the product is regularly powered.

## Limescale cycle



The boiler requires periodic cleaning by treatment with descaling liquid.

Once the boiler has reached 10 hours, to carry out the anti-limescale cycle, mix the citric salt with lukewarm water in the applace the supplied flask; with the display in stand-by, pour the mixture into the appropriate cap.

Cleaning takes about 10 hours and other functions (eg radio) can be used. During cleaning it is possible to remove only when it is removed for the whole duration of 10 hours. In any case, once the cleaning is finished, an automatic washing cycle of the boiler will be started.

## Cleaning

The shower booth is made of material that makes for quick cleaning and which prevents possible build-up of bacteria on its surface.

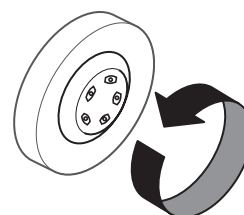
To clean the glass surfaces use specific products currently on the market.

- 1) For all operations always use a soft cloth and use never abrasive pads.
- 2) Never use powder detergents, always use liquid detergents without ammonia or alcohol-based substances such as "Svelto" or "Nelsen" (dishwashing detergents).
- 3) Take care never to use acetone, ammonia or products based on these substances because they irreversibly damage the shower booth. The same is true of products containing formic acid or formaldehyde.
- 4) To eliminate any stains, according to the kind of stain apply "Svelto" or "Nelsen" (dishwashing detergents), "Argentil" (silver polish) or toothpaste and rub with a soft cloth.
- 5) To remove any scale build-up on the surface, rub with a soft cloth soaked in lemon juice or vinegar, preferably warm.
- 6) To avoid scale build-up stains on the taps, simply dry the various components after use.



If it should be necessary to clean the nozzles, proceed as follows:

- Turn the ring nut anti-clockwise until it can be removed.
- Extract and carefully clean the central part; once it is cleaned, replace it on the nozzle.



## Warnings for installation and use

Denies any responsibility if:

The shower booth is not installed by qualified or certified personnel.

The installation and maintenance instructions in the manuals have not been observed.

The standards and instructions for electrical and plumbing systems are not observed (latest editions).

The standards stated in this manual are not observed.

Non-certified materials are used for installation.

Improper operations are performed that reduce the degree of protection against water sprays.

Components are altered or replaced with non-original parts, or repairs are carried out by unauthorized personnel.

- 1) The shower booths are designed for indoor use and must not be installed outdoors.
- 2) Never use appliances connected to the electrical system while inside the shower booth when it is in use.
- 3) Appliances powered from the electrical system and located near or around the shower booth must be attached in such a way that they do not fall.
- 4) Do not leave children unattended while they use the hydromassage shower booth.
- 5) Do not place animals in the shower booth while the hydromassage function is in operation.
- 6) Do not use the shower booth during thunderstorms.
- 7) Pregnant women and small children must not use the shower booth functions without previously consulting a doctor.
- 8) Take care when using the Turkish bath as steam is emitted at a very high temperature (100°C). Keep legs at least 40cm from the outlet nozzles.
- 9) After use, as with all household appliances, it is advisable to disconnect the shower booth by turning the multiple-pole switch on the power supply line to the OFF position.
- 10) The product is guaranteed according to the conditions listed in the guarantee certificate.
- 11) Close the water and electricity supply of the product in case of absence of long periods.
- 12) Replace the hoses after a period of 10 years, the replacement must be anticipated in case of visible deterioration of the hose itself.

**GRUPPO GEROMIN S.r.l.**

Via I° Maggio n°5 (zona Industriale)

30029 San Stino di Livenza VE

Tel. +39 0421 312249 / +39 0421 312250

[http: www.gruppogeromin.com](http://www.gruppogeromin.com) - email: [info@gruppogeromin.com](mailto:info@gruppogeromin.com)